

**TEACHING EDGE**



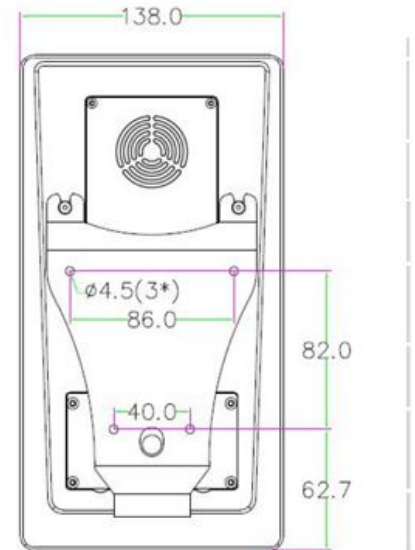
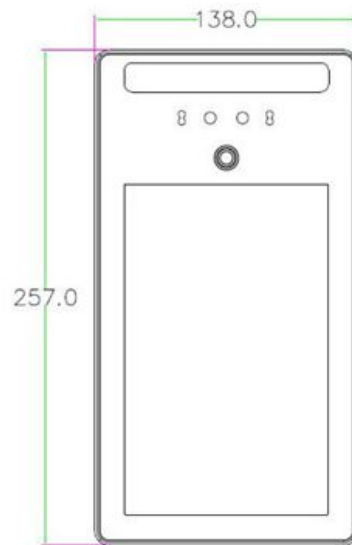
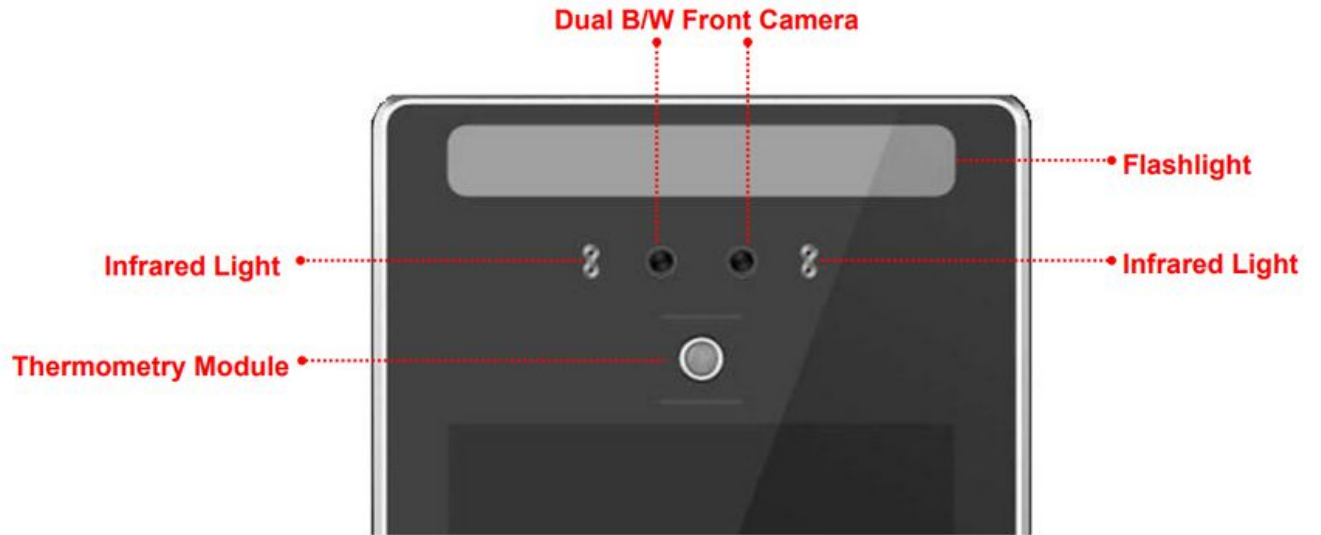
Face Recognition  
Thermometer

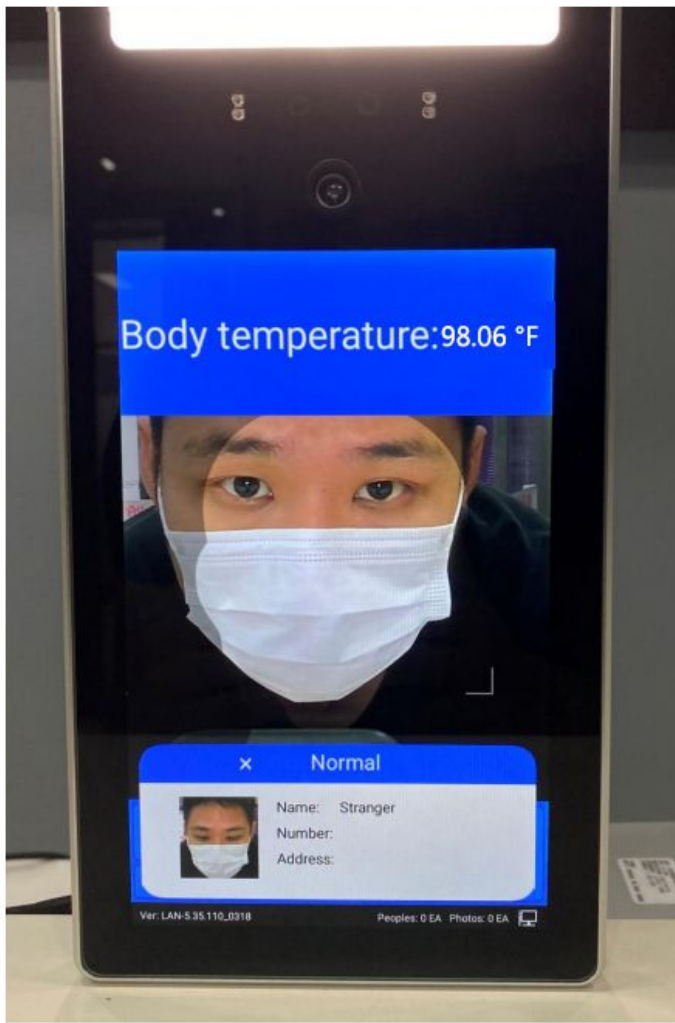
# Facial Recognition Thermometer



Product Features	
Dimensions	10.12" x 5.43" x 1.04"
Package Dimensions	14.37" x 9.05" x 3.15"
Weight	2.976lb
Package Weight	3.968lb
Body Temp Measurement	8*8 Thermopile, Distance: 30~50cm, Accuracy $\pm 0.2^{\circ}\text{C} \sim \pm 0.5^{\circ}\text{F}$
CPU	ARM 4 Cores, Cortex-A17, 1.8GHz
RAM	2GB
Camera	RGB&AI Dual WDR Cameras, Micron AR0230 Sensors
Sockets	RS485, RS232, Wiegand26/34, TTL, On-Off signal(D1, D0), LAN, WIFI
<b>Extensibility</b>	<b>Connect to cloud, support background processing</b>
Facial Recognition	1:1, 1:N
Operating Temperatures	Face Recognition - <b>59-140 °F</b> Body Temperature Measurement: <b>59-86°F</b>
Operating Humidity	$\leq 90\%$
Rated Voltage & Current	DC12~16V, 2A
Certification	CE FCC

# Facial Recognition Thermometer



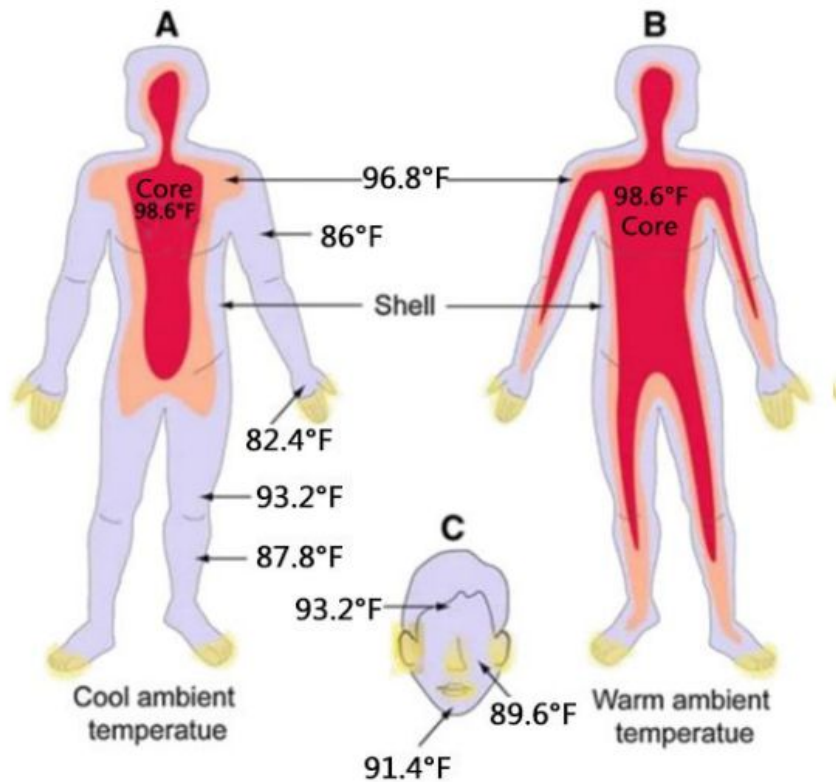


## Binocular Live face recognition support facemask/hat/glasses recognition

- By associating a portrait library, the subject can realize face recognition without removing face mask/hat/glasses, and can quickly determine the specific identity of the person.
- Near-infrared living body detection, embedded visible light face recognition, adapt to most indoor and outdoor environments and can quickly identify on the move.
- Detection and tracking for 20ms, passing detection for 300-500ms.
- Support standard API interface, can be connected with various, GLAN, WIFI, 3G/4G, realize network connection.
- Automatically record temperature measurement data and generate reports. Push real-time local data to achieve cloud management and multi-layer upper-layer applications.



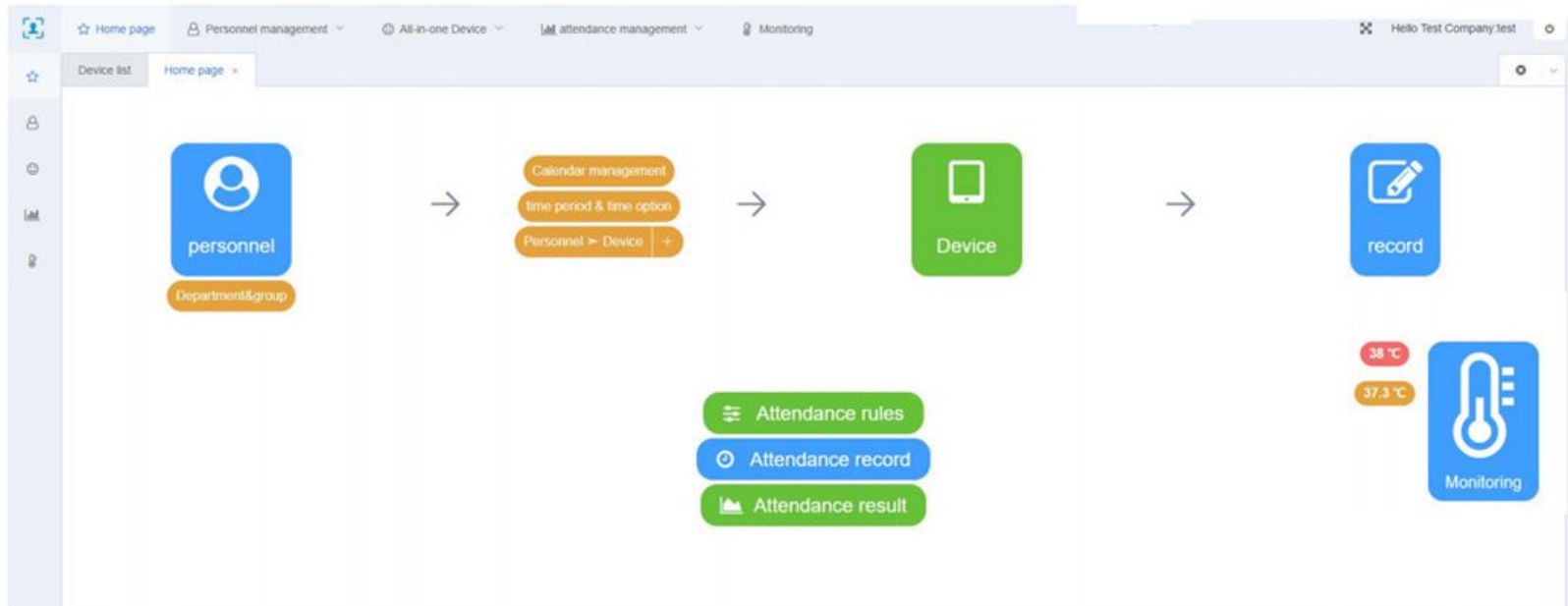
# Facial Recognition Thermometer



## Body Temperature Abnormality Warning

- After face recognition AI algorithm and temperature data optimization and calibration, the pedestrian frontal temperature is only detected to ensure the accuracy error of  $\pm 0.3^{\circ}\text{F}$ , and the real-time alarm of suspected abnormal body temperature is realized. The system supports the secondary verification of suspected abnormal body temperature.
- Accurate temperature detection in 2-3 seconds/person.
- Non-contact rapid body temperature screening to reduce the risk of cross infection.

# Backend



## Device Operation

192.168.1.158 | EAB0F7378CC900A1

← info config temperature person record callback network wan log screensaver light

Device Record

98.6

(°F) Temperature Filter

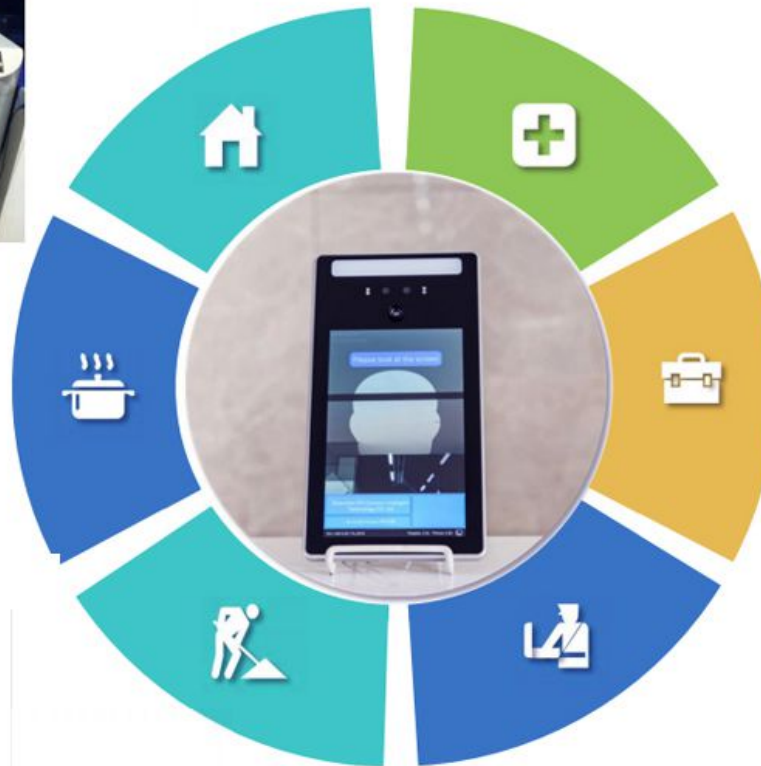
Clear Record

ID	Time	ID Card Number	Body °F:	Result	Record State	Option
80	2020-03-25 10:42:07	099	97.7	Face Success	Success/No Url	Photo

**TEACHING EDGE**

# Facial Recognition Thermometer

## Usages



For more information

### Teaching Edge

24543 Indoplex Circle, Suite 210 Farmington Hills, MI 48335

Ph: 2484427310 Email: [sales@teachingedge.com](mailto:sales@teachingedge.com)